

# RF Components

## Circulators/Isolators

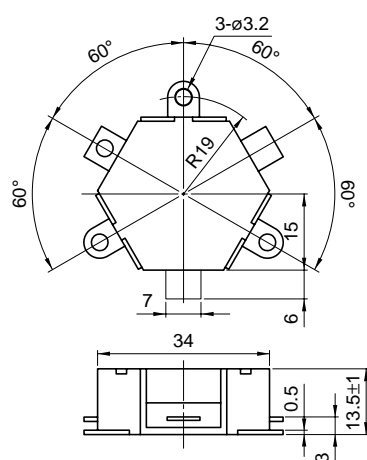
### Hexalators

## CU Series

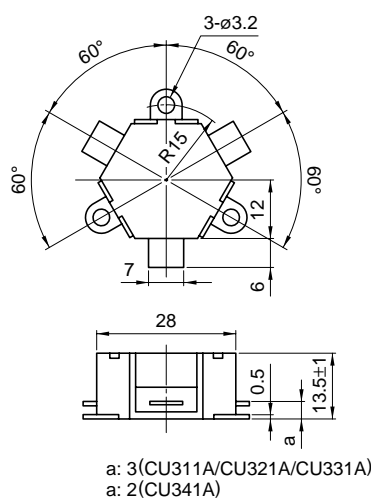
Hexalator is TDK trade name for a non-reciprocal device composed of microwave ferrites, mesh-like center conductors and magnet. Hexalators are produced in 7 models, each with its own tunable frequency band and power rating. TDK Hexalators are covered by U.S. Patent 3,621,476.

### SHAPES AND DIMENSIONS

#### CU312A, CU322A



#### CU311A, CU321A, CU331A, CU341A



a: 3(CU311A/CU321A/CU331A)  
a: 2(CU341A)

Dimensions in mm

### ELECTRICAL CHARACTERISTICS

Part No.	Tunable frequency range (MHz)	Maximum handling power (W)	Isolation (dB)	Insertion loss (dB)	Weight (g)
CU311A	100 to 200	30	>20	<1	26
CU312A	100 to 200	50	>20	<1	44
CU321A	200 to 400	30	>20	<1	26
CU322A	200 to 400	50	>20	<1	44
CU331A	300 to 600	30	>20	<1	26
CU341A	450 to 800	30	>20	<1	26

• Operating temperature range: -20 to +80°C

